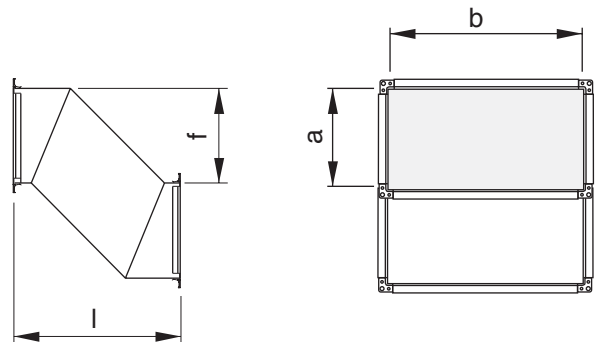


# S-bend

# LBSRSS



## Dimensions



### Description

Used for deflections of the duct system, for example where ducts cross.

Has a joining profile type RJFP at both ends, and is stiffened by corrugations.

A special relationship is needed between the a-dimension, fall f and length l for the LBSR to retain its cross-sectional area and not restrict the air flow. For this reason, standard lengths and standard drops have been prepared.

The product is CE marked according to EN 12101-7 and used in a rectangular smoke control system - single compartment (see declaration of performance).

a mm	l std mm	f std mm
100	400	300
150	400	300
200	400	300
250	400	300
300	500	300
350	500	300
400	600	400
450	600	400
500	600	400
600	700	400
700	800	500
800	900	500
900	1000	500
1000	1100	500

### Ordering example

	LBSRSS	300	600	300	400
Product					
Form side	a				
Curved side	b				
Fall	f				
Length	l				