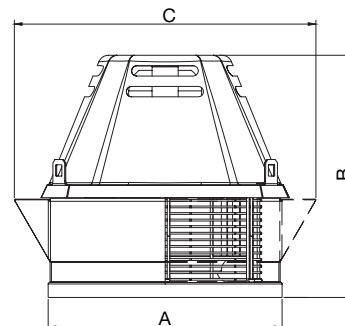


Roof Fan

RF FIRE



Dimensions



Description

Centrifugal roof fan with cowl made of UV resistant polystyrene.

Structure, roof base support and bird protection guard made of galvanised steel.

High efficiency backward curved impellers of galvanised steel.

Vertical discharge option available

Standard asynchronous motor with IP-55 protection and Class F insulation. Manufactured with standard voltages: 230V 230V 50Hz in single phase motors, 230/400V 50Hz in three phase motors and 400V 50Hz in 2 speed motors.

Specially designed for roof installation, they are suitable for: Smoke extraction.

Smoke emergency exhaust with motor outside the hazardous area (400°C/2h certificate).

Industrial and professional kitchen hoods.

Maximum continuous operation temperature: 80°C.

Official homologation by the European laboratory APPLUS according to EN 12101-3:2002, EN 12101-3:2002/AC:2005

Product	A mm	B mm	C mm	m kg
RF FIRE 250 T4 0,37KW	450	407	576	17
RF FIRE 280 T4 0,37KW	450	426	576	20
RF FIRE 315 T4 0,37KW	450	465	576	24
RF FIRE 355 M4 0,37KW	600	561	850	38
RF FIRE 355 T4 0,37KW	600	561	850	39
RF FIRE 400 T4 0,37KW	600	617	850	40
RF FIRE 400 M4 0,37KW	600	617	850	40
RF FIRE 450 T4 0,75KW	600	642	850	45
RF FIRE 500 T4 1,1KW	800	809	1190	75
RF FIRE 585 T6 0,75KW	800	825	1190	81
RF FIRE 585 T4 3KW	800	825	1190	89
RF FIRE 630 T6 1,5KW	800	863	1190	87
RF FIRE 710 T6 2,2KW	950	1000	1430	101
RF FIRE 800 T6 4KW	950	1044	1430	118

T= 400 volt

M = 230 volt

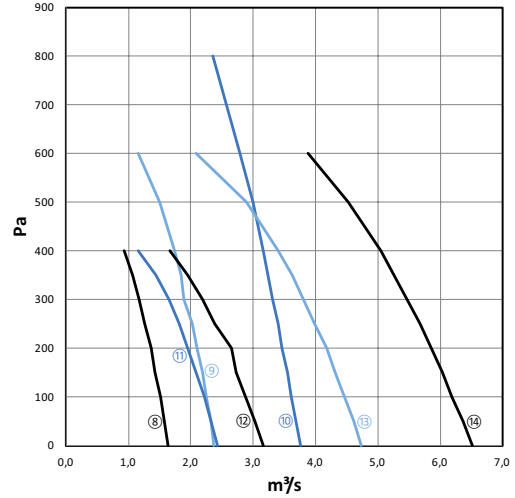
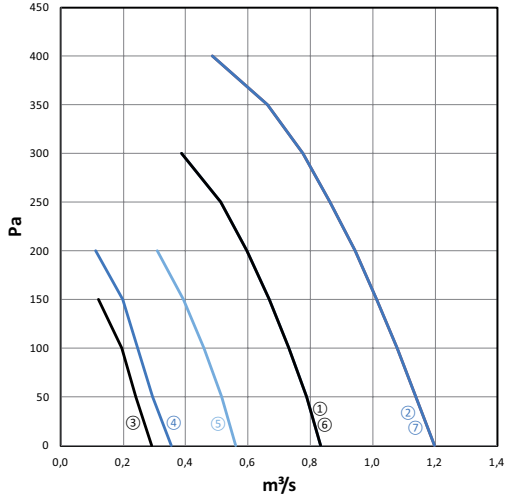
Ordering example

	RF FIRE	355	M	4	0,37 kW
Product					
Size					
Voltage					
Polarity					
Motor					

Roof Fan

RF FIRE

Technical data



Graph Ref.	Product	m³/s @ Pa												Motor W	Amps FLC	Speed RPM	
		0	50	100	150	200	250	300	350	400	500	600	800				
1	RF FIRE 355 M4 0,37KW	0,833	0,788	0,731	0,670	0,597	0,511	0,386							750	2,84	1430
2	RF FIRE 400 M4 0,37KW	1,199	1,139	1,080	1,011	0,943	0,864	0,775	0,663	0,487					550	2,93	940
3	RF FIRE 250 T4 0,37KW	0,290	0,241	0,196	0,122										1100	4,67	1430
4	RF FIRE 280 T4 0,37KW	0,353	0,294	0,247	0,197	0,110									550	2,93	950
5	RF FIRE 315 T4 0,37KW	0,561	0,514	0,458	0,394	0,308									1500	6,07	1440
6	RF FIRE 355 T4 0,37KW	0,833	0,788	0,731	0,670	0,597	0,511	0,386							550	2,93	950
7	RF FIRE 400 T4 0,37KW	1,199	1,139	1,080	1,011	0,943	0,864	0,775	0,663	0,487					2200	7,87	1455
8	RF FIRE 450 T4 0,75KW	1,642	1,578	1,508	1,432	1,359	1,266	1,177	1,067	0,936					750	3,77	920
9	RF FIRE 500 T4 1,1KW	2,373	2,319	2,246	2,182	2,096	2,018	1,895	1,841	1,735	1,493	1,154			5500	10,58	1455
10	RF FIRE 585 T4 3KW	3,759	3,686	3,611	3,557	3,469	3,396	3,316	3,233	3,163	2,994	2,793	2,352		1500	6,24	930
11	RF FIRE 585 T6 0,75KW	2,422	2,323	2,214	2,091	1,950	1,818	1,657	1,444	1,154					7500	14,46	1450
12	RF FIRE 630 T6 1,5KW	3,158	3,029	2,883	2,724	2,654	2,388	2,182	1,942	1,664					2200	9,05	960
13	RF FIRE 710 T6 2,2KW	4,742	4,610	4,464	4,319	4,173	3,983	3,810	3,628	3,401	2,896	2,076			15000	27,9	1455
14	RF FIRE 800 T6 4KW	6,524	6,369	6,192	6,042	5,864	5,674	5,469	5,264	5,046	4,523	3,875			4000	8,97	945

Graph Ref.	Product	Sound Power Level (Breakout)								Power dB(A)	dB(A) @ 3m
		63	125	250	500	1K	2K	4K	8K		
1	RF FIRE 355 M4 0,37KW	48	60	59	59	54	61	51	58	65	62
2	RF FIRE 400 M4 0,37KW	51	63	62	62	57	64	53	61	68	62
3	RF FIRE 250 T4 0,37KW	40	51	51	50	46	53	42	50	57	62
4	RF FIRE 280 T4 0,37KW	42	53	53	52	48	55	44	52	59	40
5	RF FIRE 315 T4 0,37KW	45	56	56	55	51	58	47	55	62	43
6	RF FIRE 355 T4 0,37KW	48	60	59	59	55	61	51	58	65	46
7	RF FIRE 400 T4 0,37KW	51	63	62	62	58	65	54	61	68	49
8	RF FIRE 450 T4 0,75KW	56	67	67	66	62	69	58	65	72	54
9	RF FIRE 500 T4 1,1KW	59	70	70	69	65	72	61	69	76	57
10	RF FIRE 585 T4 3KW	62	73	73	72	68	75	64	72	79	60
11	RF FIRE 585 T6 0,75KW	53	64	64	63	59	66	55	63	70	51
12	RF FIRE 630 T6 1,5KW	57	69	68	68	63	70	59	67	74	55
13	RF FIRE 710 T6 2,2KW	61	72	72	71	67	74	63	70	77	59
14	RF FIRE 800 T6 4KW	64	76	75	75	71	68	67	74	81	63